

# SPECIFICATIONS

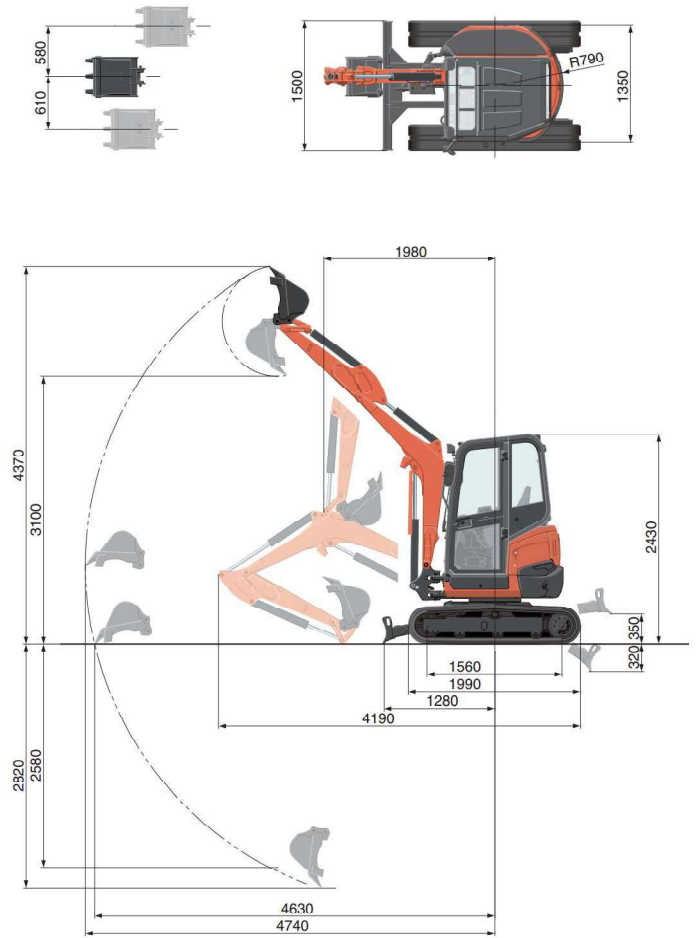
\*With rubber shoe type

Model		U27-4		
Machine weight	Cabin / Canopy	kg	2590 / 2490	
Operating weight	Cabin / Canopy	kg	2665 / 2565	
Bucket capacity, std. SAE/CECE		m <sup>3</sup>	0.06	
Bucket width	With side teeth	mm	500	
	Without side teeth	mm	450	
Engine	Model		D1105-E4-BH-2	
	Type		Water-cooled, diesel engine E-TVCS (Economical, ecological type)	
	Output ISO9249	PS/rpm	21.2 / 2400	
		kW/rpm	15.6 / 2400	
	Number of cylinders		3	
	Bore x Stroke	mm	78 x 78.4	
Displacement	cc	1123		
Overall length		mm	4190	
Overall height	Cabin	mm	2430	
	Canopy	mm	2420	
Swivelling speed		rpm	9.8	
Rubber shoe width		mm	300	
Tumbler distance		mm	1560	
Dozer size (width x height)		mm	1500 x 300	
Hydraulic pumps	P1, P2		Variable displacement pump	
	Flow rate	ℓ/min	28.8 x 2	
	Hydraulic pressure	MPa (kgf/cm <sup>2</sup> )	21.6 (220)	
	P3		Gear Type	
	Flow rate	ℓ/min	19.2	
	Hydraulic pressure	MPa (kgf/cm <sup>2</sup> )	17.2 (175)	
Max. digging force	Arm	kN (kgf)	12.3 (1260)	
	Bucket	kN (kgf)	21.0 (2140)	
Boom swing angle (left/right)		deg	75 / 55	
Auxiliary circuit (AUX1)	Flow rate	ℓ/min	48	
	Hydraulic pressure	MPa (kgf/cm <sup>2</sup> )	17.2 (175)	
Auxiliary circuit (AUX2)	Flow rate	ℓ/min	19.2	
	Hydraulic pressure	MPa (kgf/cm <sup>2</sup> )	17.2 (175)	
Hydraulic reservoir		ℓ	22	
Fuel tank capacity		ℓ	33	
Max. travelling speed	Low	km/h	2.5	
	High	km/h	4.5	
Ground contact pressure	Cabin	kPa (kgf/cm <sup>2</sup> )	24.7 (0.25)	
	Canopy	kPa (kgf/cm <sup>2</sup> )	23.7 (0.24)	
Ground clearance		mm	290	

\*Machine weight: with 35kg standard bucket and fully served

\*Operating weight: with 75kg operator, 35kg standard bucket and fully served

# WORKING RANGE



1300 mm arm  
Unit: mm

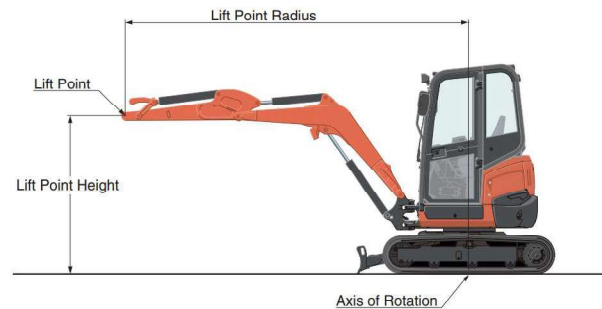
# LIFTING CAPACITY

Cabin, rubber version

Lift Point Height	Lifting point radius (2m)		Lifting point radius (max.)	
	Over-front (blade down)	Over-side	Over-front (blade down)	Over-side
1.5m	7.3 (0.74)	7.2 (0.73)	-	-
1.0m	10.2 (1.04)	6.8 (0.69)	4.2 (0.43)	2.4 (0.25)
0.5m	11.5 (1.18)	6.5 (0.67)	-	-
0m	12.3 (1.25)	6.4 (0.66)	-	-

\*The lifting capacities are based on ISO 10567 and do not exceed 75% of the static tilt load of the machine or 87% of the hydraulic lifting capacities of the machine.

\*\*The excavator bucket, hook, sling and other lifting accessories are not included on this table.



\* Working ranges are with Kubota standard bucket, without quick coupler.  
\* Specifications are subject to change without notice for purpose of improvement.

\*All images shown are for brochure purposes only.

When operating the excavator, wear clothing and equipment in accordance to local legal and safety regulations.

## KUBOTA EUROPE S.A.S.

19 25, Rue Jules Verceyusse  
Zone Industrielle - B.P. 50088  
95101 Argenteuil Cedex France  
Téléphone : (33) 01 34 26 34 34  
Télécopieur : (33) 01 34 26 34 99

<http://www.kubota-eu.com>

W21PS02612